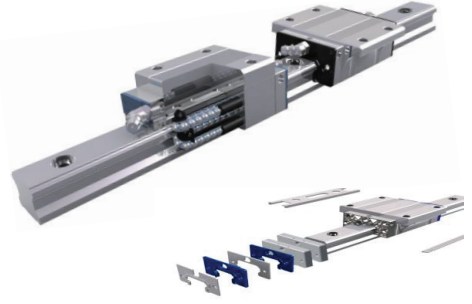




MADE IN TAIWAN

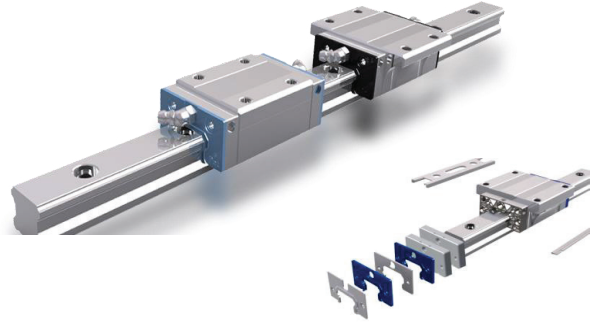


BGX SERİSİ STANDART

	PARÇA NO	Ray Dahil Komple Yükseklik	Araba Genişlik mm	Araba Uzunluk mm	Delik Merkezi En/ Boy	Schneeberger	ARABA FİYAT/AD	RAY FİYAT / MT.
15	H 15 FN	24	47	58.6	38x30	BMA	35.0 \$	75.6 \$
	H 15 FL	24	47	66.1	38x30	BMB	39.1 \$	
	H 15 BN	28	34	58.6	26x26	BMC	34.0 \$	
	S 15 BN	24	34	58.6	26x26	BMF	34.0 \$	
	S 15 BS	24	34	40.6	26	BMK	29.0 \$	
20	H 20 FN	30	63	69.3	53x40	BMA	42.2 \$	91.2 \$
	H 20 FL	30	63	82.1	53x40	BMB	47.3 \$	
	H 20 BN	30	44	69.3	32x36	BMC	38.9 \$	
	H 20 BL	30	44	82.1	32x50	BMD	43.5 \$	
	S 20 BN	28	42	69.3	32x32	BMF	38.9 \$	
	S 20 BS	28	42	48.3	32	BMK	51.0 \$	
25	H 25 FN	36	70	79.7	57x45	BMA	49.1 \$	105.7 \$
	H 25 FL	36	70	94.4	57x45	BMB	55.4 \$	
	H 25 BN	40	48	79.7	35x35	BMC	46.1 \$	
	H 25 BL	40	48	94.4	35x50	BMD	51.6 \$	
	S 25 BN	33	48	79.2	35x35	BML	46.1 \$	
30	H 30 FN	42	90	94.8	72x52	BMA	63.1 \$	123.7 \$
	H 30 FL	42	90	105	72x52	BMB	72.2 \$	
	H 30 BN	45	60	94.8	40x40	BMC	59.2 \$	
	H 30 BL	45	60	105	40x60	BMD	67.6 \$	
35	H 35 FN	48	100	111.5	82x62	BMA	75.1 \$	160.0 \$
	H 35 FL	48	100	123.5	82x62	BMB	86.5 \$	
	H 35 BN	55	70	111.5	50x50	BMC	73.0 \$	
	H 35 BL	55	70	123.5	50x72	BMD	84.1 \$	
45	H 45 FN	60	120	129	100x80	BMA	110.6 \$	227.7 \$
	H 45 FL	60	120	145	100x80	BMB	125.0 \$	
	H 45 BN	70	86	129	60x60	BMC	108.9 \$	
	H 45 BL	70	86	145	60x80	BMD	122.8 \$	
55	H 55 FN	70	140	155	116x95	-	189.1 \$	342.5 \$
	H 55 FL	70	140	193	116x95	-	217.5 \$	
	H 55 BN	80	100	155	75x75	-	187.7 \$	
	H 55 BL	80	100	193	75x95	-	215.7 \$	

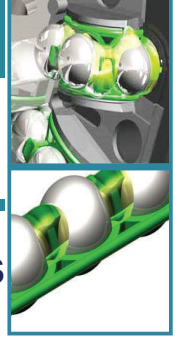


MADE IN TAIWAN



BGC SERİSİ SESSİZ(KAFESLİ)

	PARÇA NO	Ray dahil Komple Yükseklik	Araba Genişlik mm	Araba Uzunluk mm	Delik Merkezi En/ Boy	ARABA FİYAT/AD	RAY FİYAT / MT.
20	H 20 FN	30	63	69.3	53x40	65 \$	91.2 \$
	H 20 BN	30	44	69.3	32x36	59 \$	
	S 20 BN	28	42	69.3	32x32	58 \$	
25	H 25 FN	36	70	79.7	57x45	72 \$	105.7 \$
	H 25 BN	40	48	79.7	35x35	68 \$	
	X 25 BN	36	48	79.7	35x35	66 \$	



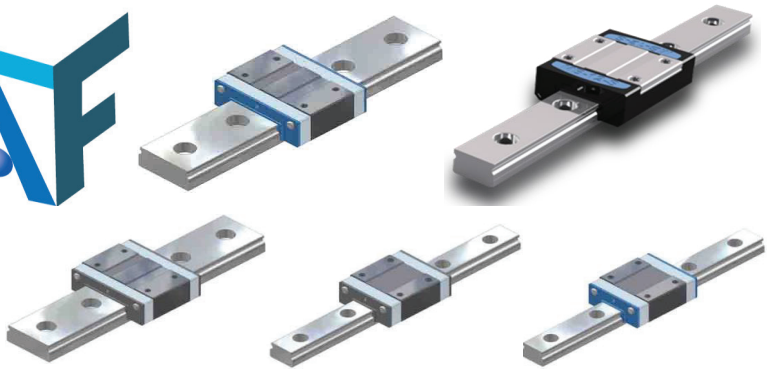
PASLANMAZ ÖZELLİKLİ KROM KAPLI ARABA VE KIZAKLAR

	BGX	Ray dahil Komple Yükseklik	Araba Genişlik mm	Araba Uzunluk mm	Delik Merkezi En/ Boy	ARABA FİYAT/AD	RAY FİYAT / MT.
15	H 15 FN	24	47	58.6	38x30	-	\$165.0
	H 15 BN	28	34	58.6	26x26	\$53.2	\$165.0
20	H 20 FN	30	63	69.3	53x40	\$66.6	\$175.8
	H 20 BN	30	44	69.3	32x36	\$59.2	\$175.8
25	H 25 FN	36	70	79.7	57x45	\$77.7	\$203.5
	H 25 BN	40	48	79.7	35x35	\$74.1	\$203.5
30	H 30 FN	42	90	94.8	72x52	\$96.3	\$227.0
	H 30 BN	45	60	94.8	40x40	\$92.6	\$227.0
35	H 35 FN	48	100	111.5	82x62	\$114.9	\$311.0
	H 35 BN	55	70	111.5	50x50	\$100.1	\$311.0
45	H 45 FN	60	120	129	100x80	-	-
	H 45 BN	70	86	129	60x60	-	-





MADE IN TAIWAN



MBX MİNYATÜR SERİ

	PARÇA NO	Ray dahil Komple Yükseklik	Araba Genişlik mm	Araba Uzunluk mm	Delik Merkezi En/ Boy	Schneeberger	ARABA FİYAT/AD	RAY FİYAT / MT.
9	09SN	10	20	30,8	15x10	MNN 9	26 \$	141 \$
	09SL	10	20	40,5	15x16	MNNL 9	30 \$	141 \$
	09WN	12	30	39	21x12	MNN 18	39 \$	252 \$
	09WL	12	30	51	23x24	-	-	-
12	12SN	13	27	34	20x15	MNN 12	29 \$	159 \$
	12SL	13	27	47	20x20	MNNL 12	33 \$	159 \$
	12WN	14	40	44,5	28x15	MNN 24	42 \$	289 \$
	12WL	14	40	59,1	28x28	MNNL 24	-	-
15	15SN	16	32	42	25x20	MNN 15	31 \$	174 \$
	15SL	16	32	59,8	25x25	MNNL 15	36 \$	174 \$
	15WN	16	60	55,5	45x20	MNN 42	52 \$	409 \$
	15WL	16	60	74,7	45x35	MNNL 42	-	-

